

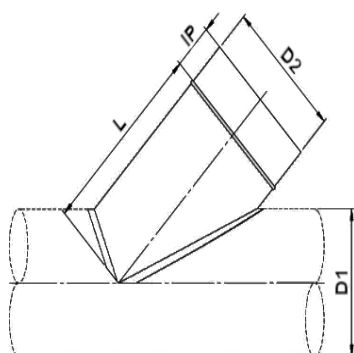
ATTACCO A SELLA 45°

DESCRIZIONE

Attacchi a sella in lamiera zincata:

-EAS45 Attacchi a sella 45°

-EASG45 Attacchi a sella 45° guarnito



DIMENSIONI EAS45

D1/D2 mm	IP	l mm	D1/D2 mm	IP	l mm
80/80	40	145	250/250	40	350
100/80	40	160	315/250	40	396
125/80	40	177	355/250	40	425
160/80	40	202	400/250	40	456
200/80	40	230	315/315	40	429
250/80	40	265	355/315	40	457
100/100	40	170	400/315	40	489
125/100	40	187	355/355	40	477
160/100	40	212	400/355	40	509
200/100	40	240	450/355	40	574
250/100	40	275	500/355	40	617
315/100	40	321	560/355	40	652
125/125	40	200	630/355	40	700
160/125	40	224	400/400	40	531
200/125	40	253	450/400	40	597
250/125	40	287	500/400	40	639
315/125	40	334	560/400	40	674
400/125	40	394	630/400	40	725
160/160	40	242	450/450	70	592
200/160	40	270	500/450	70	634
250/160	40	305	560/450	70	700
315/160	40	351	630/450	70	750
400/160	40	408	500/500	70	659
200/200	40	290	560/500	70	724
250/200	40	325	630/500	70	775
315/200	40	371	560/560	70	754
355/200	40	400	630/560	70	805
400/200	40	431	630/630	70	840

