

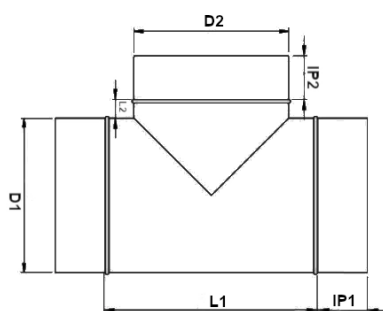
**RACCORDO A TEE 90°**

**DESCRIZIONE**

Raccordo a TEE in lamiera zincata.

-ETEE Raccordo a TEE 90°

-ETEEG Raccordo a TEE 90° guarnito  
IP1 e IP2 = 35



**DIMENSIONI RACCORDO ETEE**

D1/ D2 mm	L1 mm	L2 mm	IP1	IP2
80/80	150	10	35	35
100/80	150	10	35	35
125/80	150	12	35	35
160/80	150	5	35	35
200/80	150	5	35	35
250/80	150	5	35	35
100/100	170	10	35	35
125/100	170	12	35	35
150/100	170	25	35	35
160/100	170	10	35	35
200/100	170	10	35	35
250/100	170	10	35	35
315/100	170	8	35	35
125/125	195	12	35	35
160/125	195	10	35	35
200/125	195	10	35	35

**DIMENSIONI RACCORDO ETEE**

D1/ D2 mm	L1 mm	L2 mm	IP1	IP2
250/125	195	10	35	35
315/125	195	12	35	35
150/150	220	10	35	35
200/150	220	5	35	35
160/160	230	10	35	35
200/160	230	15	35	35
250/160	230	15	35	35
315/160	230	15	35	35
200/200	270	10	35	35
250/200	270	20	35	35
315/200	270	25	35	35
250/250	320	25	35	35
315/250	320	25	35	35
315/315	385	30	35	35
400/315	385	30	35	35

